

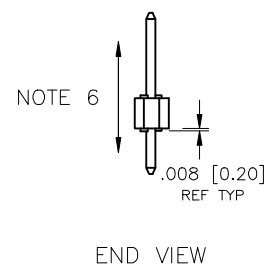
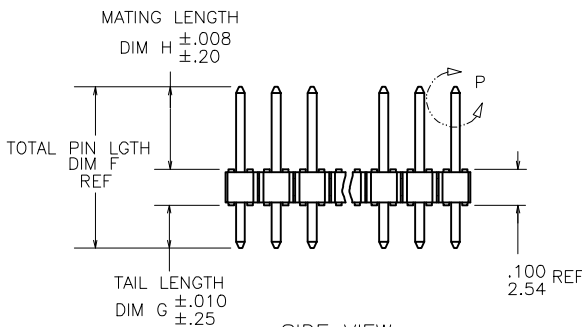
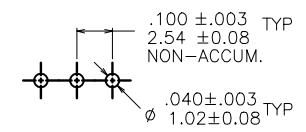
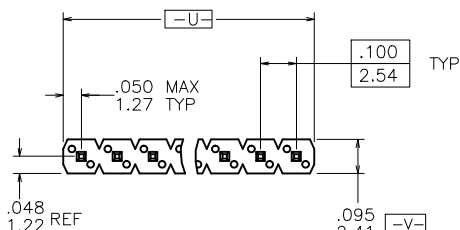
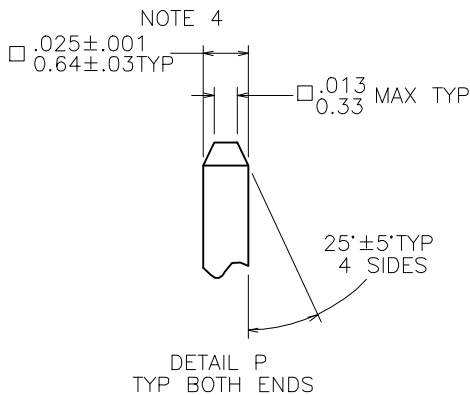
PRODUCT NUMBER

XXXXX-YYY HTLF
 LEAD FREE OPTION
 (SEE NOTES 1)
 PACKAGING OPTIONS
 (SEE NOTE 1)
 HIGH TEMPERATURE PLASTIC
 (SEE NOTE 1)
 NO OF POSITIONS
 (SEE NOTE 1)
 PIN PLATING
 (SEE SHEET 2)
 BASE PART NO.

68000-X XX-XXX XXX LF

TAIL LENGTH (EXAMPLE BELOW)
3.0mm=030 12.8mm=128 (SEE NOTE 15 & 16)
 MATTING LENGTH (EXAMPLE BELOW)
 5.0mm=050 25.5mm=255 (SEE NOTE 15 & 16)
 TOTAL NUMBER OF POSITION
 FROM 1 THRU 36 POS. (SEE NOTE 1)
 PIN PLATING (SEE NOTE 13)
 1=0.76µm Au
 4= PURE TIN
 8=0.36µm Au
 BASE PART NO.

⊕ ∅.020/.51 Ⓜ U Ⓜ V Ⓢ



NOTE 6

| | | | | | | | |
|--------------------------------|----------|-----|---------|---------------------------------------|----------------------------------|----------------|----------------------------|
| mat'l. code SEE NOTES 2 & 3 | | | | surface ISO 1302 | tolerance ISO 406 ISO 1101 | projection | product family BERGSTIK |
| ltr | ecn no | dr | date | tolerances unless otherwise specified | | INCH/MM | title |
| CL | M06-0039 | MHT | 1/18/06 | angles | .XX±.01/XX±0.3 | | BERGSTIK® II HEADER |
| CM | M06-0268 | MHT | 7/17/06 | linear | .XXX±.006/XX±0.13 | scale 1:1 | .100/2.54cc SR STRAIGHT |
| CN | M06-0348 | MHT | 9/04/06 | 0°±2' | .XXX±.0020/XXX±0.051 | | dwg no |
| CP | M07-0118 | AGS | 2/16/07 | dr | T.BREWBAKER | 01/05/95 | sheet 1 of 8 size |
| CR | M07-0150 | AGS | 3/06/07 | engr | T.HANNA | 01/05/95 | 68000 |
| CS | M08-0168 | MHT | 2/26/08 | chr | J.MURPHY | 01/05/95 | A3 |
| CT | M06-0265 | MHT | 9/23/08 | appd | T.HANNA | 01/05/95 | type |
| sheet | revision | CT | CT | CT | CT | CT | Product Customer Drawing |
| index | sheet | 1 | 2 | 3 | 4 | 5 | |

| PIN PLATING CODES: | |
|--------------------|---|
| XXXX-1YY | 30u"/0.76u MIN (SEE NOTE 13) OVER 50u"/1.27u MIN Ni |
| XXXX-2YY | 15u"/0.38u MIN (SEE NOTE 13) OVER 50u"/1.27u MIN Ni |
| XXXX-3YY | 50u"/1.27u MIN Au OVER 50u"/1.27u MIN Ni |
| XXXX-4YY | 100u"/2.54u MIN Sn OVER 50u"/1.27u MIN Ni (SEE NOTE 14) |
| XXXX-4YYHLF | |
| XXXX-5YY | 15u"/0.38u MIN (SEE NOTE 13) OVER 50u"/1.27u MIN Ni |
| XXXX-6YY | 30u"/0.76u MIN (SEE NOTE 13) OVER 50u"/1.27u MIN Ni |
| XXXX-7YY | 30u"/0.76u MIN Au OVER 50u"/1.27u MIN Ni |
| XXXX-8YY | 15u"/0.38u MIN Au OVER 50u"/1.27u MIN Ni |
| XXXX-9YY | 15u"/0.38u MIN GXT OVER 50u"/1.27u MIN Ni |
| XXXX-0YY | 30u"/0.76u MIN GXT OVER 50u"/1.27u MIN Ni |

NOTES

1. PART NUMBER OPTIONS:

PIN PLATING CODES (SEE ABOVE)

HIGH TEMP. MATERIAL:

FOR HIGH-TEMPERATURE APPLICATIONS, SPECIFY AN "H" AT THE END OF THE PART NUMBER.

NUMBER OF POSITIONS :

ANY NUMBER OF POSITIONS FROM 1 THRU 36.
 -X00H INDICATES BERGSTRIIP PRODUCT. SEE PAGE 3 FOR SPECIAL GEOMETRY OF THIS CONTINUOUS STRIP PRODUCT.
 AUTOMATED REELS WILL CONTAIN 36,000 PINS.
 SEE SPECIFIC PART NUMBERS FOR AVAILABILITY.

PACKAGING :

NO INDICATOR IS STANDARD PACKAGING IN POLY BAGS.
 EIGHT DIGIT PART NUMBERS FOLLOWED BY A "T" ARE PACKAGED IN TUBES. SEE SPECIFIC PART NUMBERS FOR AVAILABILITY.
 EIGHT DIGIT PART NUMBERS FOLLOWED BY A "C" ARE PACKAGED IN TUBES WITH PICKUP CAP APPLIED. (NOT TOOLED)
 BERGSTRIIP™ PART NUMBERS FOLLOWED BY A "B" ARE BULK PRICED.

LEAD FREE :

ADD "HLF" SUFFIX AT THE END OF PART NUMBER FOR LEAD FREE OPTION, NOT AVAILABLE FOR -5YY, -5YYH, -6YY & -6YYH

2. BODY MATERIAL :

BERGSTIK: MANUFACTURER'S OPTION OF NYLON, PCT GLASS FIBER REINFORCED, OR LCP MINERAL FILLED FLAME RETARDANT PER UL-94V-0.
 COLOR : BLACK
 BERGSTRIIP™: PRODUCED WITH HIGH TEMPERATURE LCP THERMOPLASTIC, FLAME RETARDANT PER UL-94V-0.
 COLOR : BLACK
 PART NUMBERS WITH "H" SUFFIX WILL WITHSTAND EXPOSURE TO 260°C PEAK TEMPERATURE FOR 20 SECONDS IN WAVE SOLDER, INFRA-RED OR VAPOR PHASE SOLDER PROCESS.
 PART NUMBERS WITHOUT "H" SUFFIX WILL WITHSTAND EXPOSURE TO 260°C PEAK TEMPERATURE FOR WAVE SOLDER PROCESS.

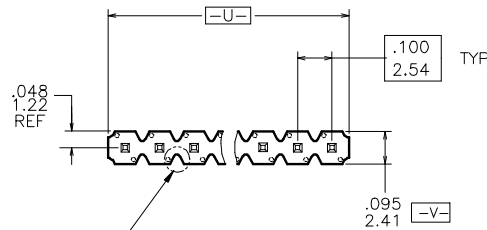
3. PIN MATERIAL : PHOS-BRONZE.
4. MEASURED WITH PART IN RESTRAINED CONDITION.
5. TWO SIDES OF PIN TIPS NOT PLATED. TYPICAL BOTH ENDS.
6. 2LBS/0.9KG MIN PIN RETENTION IN EITHER DIRECTION.
7. PIN CANNOT PROTRUDE PAST EDGE OF HOUSING. MUST BE .005±.005/.13±.13 FROM END OF HOUSING HOLE.
8. MILITARY BERGSTIK HEADER
 P/N XXXX-YYY-MIL.
 NOT AVAILABLE.
9. ±.010/0.25 TOL APPLIES TO ALL "G" TAILS EXCEPT INDICATED PARTS ON TABLE WHERE +.010/0.25 -.000/0.00 APPLIES.
10. INDICATED PART NUMBERS ARE PRODUCED AND SOLD IN THE TAIWAN/SINGAPORE AREAS. THESE ARE NOT AVAILABLE IN BERGSTRIIP™ CONTINUOUS STRIP.
11. NOTCH CONFIGURATION WILL VARY PER VENDOR'S DISCRETION.
12. THESE PRODUCTS MEETS EUROPEAN UNION DIRECTIVES AND OTHER COUNTRY REGULATION AS DESCRIBED IN GS-22-008.
13. PLATING OPTIONS:
 MAY BE EITHER GOLD OR GXT PLATED AT MANUFACTURER'S OPTION.
14. "THIS PRODUCT HAS 100% TIN PLATING IN THE INTERFACE AND HAS NOT BEEN TESTED FOR WHISKER GROWTH IN ALL INTERCONNECT ENVIRONMENTS."
15. THE OAL DON'T EXCEED 34.5mm
16. INCREMENTS BY 0.1mm IN LENGTHS ONLY
17. FOR SPECIAL PACKAGING REQUEST PLEASE CONTACT PRODUCT MANAGER FOR AVAILABILITY

| | | | | |
|--------------------------------|---------------------|----------------------------------|--------------------|----------------------------------|
| mat'l. code SEE NOTES 2 & 3 | surface ISO 1302 | tolerance ISO 406 ISO 1101 | projection | product family BERGSTIK |
| ltr | ecn no | dr | date | title BERGSTIK II HEADER |
| CT | | | | .100/2.54cc SR STRAIGHT |
| | angles | linear | linear | INCH/MM |
| | 0'±2' | .XX±.01/XX±0.3 | .XXX±.006/XXX±0.13 | scale 1:1 |
| | dr | T.BREWBAKER | 01/05/95 | dwg no 68000 |
| | engr | T.HANNA | 01/05/95 | sheet 2 of 8 size A3 |
| | chr | J.MURPHY | 01/05/95 | type Product Customer Drawing |
| | appd | T.HANNA | 01/05/95 | |
| sheet | revision | | | |
| index | sheet | | | |

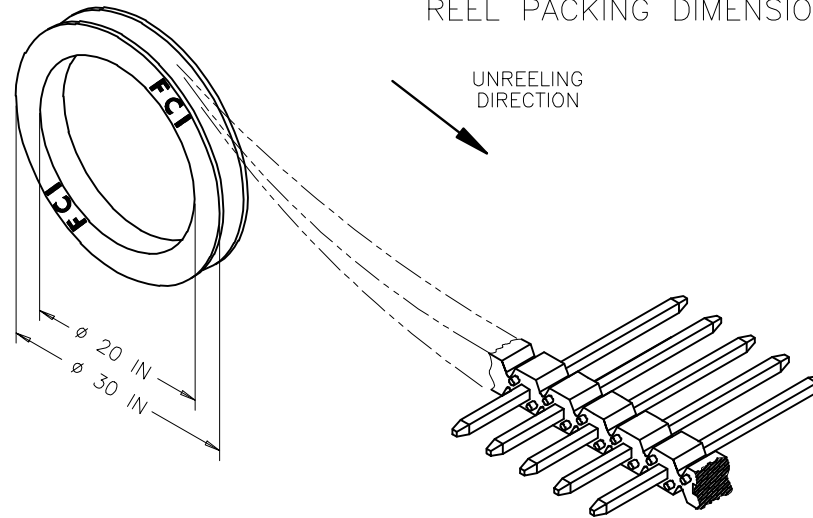
FCJ
 FCconnect.com
 Copyright FCJ

BERGSTRIPTM HEADER

REEL PACKING DIMENSIONS

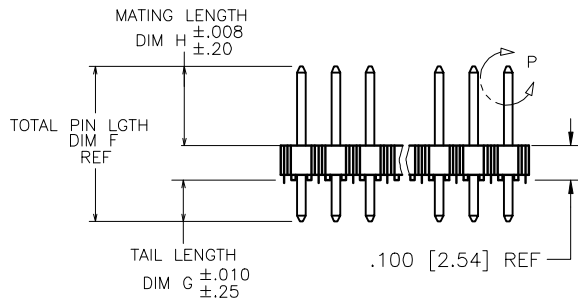


SINGLE ROW TOP VIEW



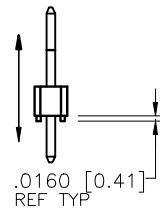
UNREELING DIRECTION

NOTE 11



SINGLE ROW SIDE VIEW

NOTE 6



SINGLE ROW END VIEW



Copyright FCJ

| | | | | | |
|-------------------------------|----------------|---------------------|----------------------------------|--|--------------------------------------|
| mat'l code SEE NOTES 2 & 3 | | surface ISO 1302 | tolerance ISO 406 ISO 1101 | projection | product family BERGSTIK |
| ltr | ecn no | dr | date | tolerances unless otherwise specified | title BERGSTIK® II HEADER |
| CT | | | | angles linear XX±.01/XX±0.3 XXX±.005/XXX±0.13 0°±2' | INCH/MM BERGSTIK® II HEADER |
| | | | | XXX±.0020/XXX±0.051 | scale 1:1 .100/2.54cc SR STRAIGHT |
| | | dr | T.BREWBAKER | 01/05/95 | dwg no sheet 3 of 8 size |
| | | engr | T.HANNA | 01/05/95 | 68000 A3 |
| | | chr | J.MURPHY | 01/05/95 | type Product Customer Drawing |
| | | appd | T.HANNA | 01/05/95 | |
| sheet index | revision sheet | | | | |

| PRODUCT NUMBER | TOTAL PIN LGTH | | TAIL LENGTH | | MATING LENGTH | | PACKAGING | NOTES | BERGSTRIK™ | LF OPTION |
|----------------|----------------|--------|-------------|--------|---------------|--------|-----------------|-------|------------|-----------|
| | DIM F | DIM F | DIM G | DIM G | DIM H | DIM H | | | AVAILABLE | |
| | ENGLISH | METRIC | ENGLISH | METRIC | ENGLISH | METRIC | | | | |
| 55492-XXYH | 0.315 | 8.00 | 0.095 | 2.41 | 0.120 | 3.05 | POLY BAGS | - | NO | NOTE 1,12 |
| 60017-XXYH | 0.620 | 15.75 | 0.210 | 5.33 | 0.310 | 7.87 | POLY BAGS | - | NO | |
| 60018-XXYH | 0.660 | 16.76 | 0.250 | 6.35 | 0.310 | 7.87 | POLY BAGS | - | NO | |
| 63334-XXYH | 0.435 | 11.05 | 0.095 | 2.41 | 0.240 | 6.10 | POLY BAGS | - | NO | |
| 68000-XXX | 0.425 | 10.80 | 0.095 | 2.41 | 0.230 | 5.84 | POLY BAGS | - | YES | |
| 68001-XXX | 0.450 | 11.43 | 0.120 | 3.05 | 0.230 | 5.84 | POLY BAGS/TUBES | - | YES | |
| 68002-XXX | 0.480 | 12.19 | 0.150 | 3.81 | 0.230 | 5.84 | POLY BAGS | - | YES | |
| 68003-XXX | 0.525 | 13.34 | 0.195 | 4.95 | 0.230 | 5.84 | POLY BAGS | - | NO | |
| 68004-XXX | 0.525 | 13.34 | 0.107 | 2.72 | 0.318 | 8.08 | POLY BAGS | - | YES | |
| 68024-XXX | 0.568 | 14.43 | 0.150 | 3.81 | 0.318 | 8.08 | POLY BAGS | - | YES | |
| 68031-XXX | 0.513 | 13.03 | 0.183 | 4.65 | 0.230 | 5.84 | POLY BAGS | - | NO | |
| 68032-XXX | 0.543 | 13.79 | 0.213 | 5.41 | 0.230 | 5.84 | POLY BAGS | - | NO | |
| 68033-XXX | 0.708 | 17.98 | 0.473 | 12.01 | 0.135 | 3.43 | POLY BAGS | - | NO | |
| 68415-XXX | 0.615 | 15.62 | 0.115 | 2.92 | 0.400 | 10.16 | POLY BAGS | - | NO | |
| 68416-XXX | 0.813 | 20.65 | 0.483 | 12.27 | 0.230 | 5.84 | POLY BAGS | - | NO | |
| 68418-XXX | 0.730 | 18.54 | 0.400 | 10.16 | 0.230 | 5.84 | POLY BAGS | - | NO | |
| 68422-XXX | 0.631 | 16.03 | 0.213 | 5.41 | 0.318 | 8.08 | POLY BAGS | - | NO | |
| 68443-XXX | 0.755 | 19.18 | 0.425 | 10.80 | 0.230 | 5.84 | POLY BAGS | - | NO | |
| 68456-XXX | 0.825 | 20.96 | 0.115 | 2.92 | 0.610 | 15.49 | POLY BAGS | - | NO | |
| 68457-XXX | 0.548 | 13.92 | 0.130 | 3.30 | 0.318 | 8.08 | POLY BAGS | - | NO | |
| 68465-XXX | 0.925 | 23.50 | 0.595 | 15.11 | 0.230 | 5.84 | POLY BAGS | - | NO | |
| 68466-XXX | 0.925 | 23.50 | 0.128 | 3.25 | 0.697 | 17.70 | POLY BAGS | - | NO | |
| 68472-XXX | 0.913 | 23.19 | 0.413 | 10.49 | 0.400 | 10.16 | POLY BAGS | - | NO | |
| 68479-XXX | 0.718 | 18.24 | 0.388 | 9.86 | 0.230 | 5.84 | POLY BAGS | - | NO | |
| 68483-XXX | 0.835 | 21.21 | 0.417 | 10.59 | 0.318 | 8.08 | POLY BAGS | - | NO | |
| 68487-XXX | 0.705 | 17.91 | 0.110 | 2.79 | 0.495 | 12.57 | POLY BAGS | - | NO | |
| 68489-XXX | 1.095 | 27.81 | 0.765 | 19.43 | 0.230 | 5.84 | POLY BAGS | - | NO | |
| 68490-XXX | 1.025 | 26.04 | 0.695 | 17.65 | 0.230 | 5.84 | POLY BAGS | - | NO | |
| 68497-XXX | 0.612 | 15.54 | 0.085 | 2.16 | 0.427 | 10.85 | POLY BAGS | - | NO | |
| 68603-XXX | 0.555 | 14.10 | 0.120 | 3.05 | 0.335 | 8.51 | POLY BAGS | - | NO | |
| 68604-XXX | 0.600 | 15.24 | 0.120 | 3.05 | 0.380 | 9.65 | POLY BAGS | - | NO | |



FCConnect.com

Copyright FCJ

| | | | | | |
|-------------------------------|----------------|---------------------|----------------------------------|---|-----------------------------------|
| mat'l code SEE NOTES 2 & 3 | | surface ISO 1302 | tolerance ISO 406 ISO 1101 | projection | product family BERGSTIK |
| ltr | ecn no | dr | date | tolerances unless otherwise specified | title BERGSTIK® II HEADER |
| CT | | | | angles linear .XX±.01/.XX±0.3 .XXX±.005/.XXX±0.13 0°±2° .XXX±.0020/.XXX±0.051 | INCH/MM 100/2.54cc SR STRAIGHT |
| | | dr | T.BREWBAKER | 01/05/95 | scale 1:1 |
| | | enr | T.HANNA | 01/05/95 | dwg no sheet 4 of 8 size |
| | | chr | J.MURPHY | 01/05/95 | 68000 A3 |
| | | appd | T.HANNA | 01/05/95 | type Product Customer Drawing |
| sheet index | revision sheet | | | | |

| PRODUCT NUMBER | TOTAL PIN LGTH | | TAIL LENGTH | | MATING LENGTH | | PACKAGING | NOTES | BERGSTRIIP™ AVAILABLE |
|----------------|----------------|--------|-------------|--------|---------------|--------|-----------|-------|-----------------------|
| | DIM F | DIM F | DIM G | DIM G | DIM H | DIM H | | | |
| | ENGLISH | METRIC | ENGLISH | METRIC | ENGLISH | METRIC | | | |
| 68629-YYY | 0.621 | 15.77 | 0.203 | 5.16 | 0.318 | 8.08 | POLY BAGS | - | NO |
| 68630-YYY | 0.603 | 15.32 | 0.273 | 6.93 | 0.230 | 5.84 | POLY BAGS | - | NO |
| 68631-YYY | 0.703 | 17.86 | 0.203 | 5.16 | 0.400 | 10.16 | POLY BAGS | - | NO |
| 68632-YYY | 0.743 | 18.87 | 0.413 | 10.49 | 0.230 | 5.84 | POLY BAGS | - | NO |
| 68633-YYY | 0.643 | 16.33 | 0.225 | 5.72 | 0.318 | 8.08 | POLY BAGS | - | NO |
| 68634-YYY | 1.013 | 25.73 | 0.683 | 17.35 | 0.230 | 5.84 | POLY BAGS | - | NO |
| 68642-YYY | 0.913 | 23.19 | 0.583 | 14.81 | 0.230 | 5.84 | POLY BAGS | - | NO |
| 68652-YYY | 1.470 | 37.34 | 0.670 | 17.02 | 0.700 | 17.78 | POLY BAGS | - | NO |
| 68653-YYY | 0.735 | 18.67 | 0.095 | 2.41 | 0.540 | 13.72 | POLY BAGS | - | NO |
| 68654-YYY | 1.050 | 26.67 | 0.670 | 17.02 | 0.280 | 7.11 | POLY BAGS | - | NO |
| 68655-YYY | 0.708 | 17.98 | 0.290 | 7.37 | 0.318 | 8.08 | POLY BAGS | - | NO |
| 68656-YYY | 1.113 | 28.27 | 0.613 | 15.57 | 0.400 | 10.16 | POLY BAGS | - | NO |
| 68657-YYY | 0.588 | 14.94 | 0.368 | 9.35 | 0.120 | 3.05 | POLY BAGS | - | NO |
| 68658-YYY | 0.820 | 20.83 | 0.130 | 3.30 | 0.590 | 14.99 | POLY BAGS | - | NO |
| 68659-YYY | 0.608 | 15.44 | 0.398 | 10.11 | 0.110 | 2.79 | POLY BAGS | - | NO |
| 68686-YYY | 1.016 | 25.81 | 0.458 | 11.63 | 0.458 | 11.63 | POLY BAGS | - | NO |
| 68689-YYY | 0.913 | 23.19 | 0.213 | 5.41 | 0.600 | 15.24 | POLY BAGS | - | NO |
| 68705-YYY | 0.395 | 10.03 | 0.095 | 2.41 | 0.200 | 5.08 | POLY BAGS | - | NO |
| 68717-YYY | 0.615 | 15.62 | 0.285 | 7.24 | 0.230 | 5.84 | POLY BAGS | - | NO |
| 68730-YYY | 0.555 | 14.10 | 0.225 | 5.72 | 0.230 | 5.84 | POLY BAGS | - | NO |
| 68731-YYY | 0.880 | 22.35 | 0.440 | 11.18 | 0.340 | 8.64 | POLY BAGS | - | NO |
| 68735-YYY | 1.016 | 25.81 | 0.520 | 13.21 | 0.396 | 10.06 | POLY BAGS | - | NO |
| 68755-YYY | 1.166 | 29.62 | 0.533 | 13.54 | 0.533 | 13.54 | POLY BAGS | - | NO |
| 68760-YYY | 0.803 | 20.40 | 0.353 | 8.97 | 0.350 | 8.89 | POLY BAGS | - | NO |
| 68762-YYY | 0.588 | 14.94 | 0.213 | 5.41 | 0.275 | 6.99 | POLY BAGS | - | NO |
| 68771-YYY | 0.470 | 11.94 | 0.100 | 2.54 | 0.270 | 6.86 | POLY BAGS | - | NO |
| 68781-YYY | 0.691 | 17.55 | 0.273 | 6.93 | 0.318 | 8.08 | POLY BAGS | - | NO |

LF OPTION
NOTE 1,12



Copyright FCJ

| | | | | | | | |
|--------------------------------|----------------|----|------|---------------------------------------|----------------------------------|----------------|----------------------------------|
| mat'l. code SEE NOTES 2 & 3 | | | | surface ISO 1302 | tolerance ISO 406 ISO 1101 | projection | product family BERGSTIK |
| ltr | ecn no | dr | date | tolerances unless otherwise specified | | INCH/MM | title BERGSTIK® II HEADER |
| CT | | | | linear | linear | | .100/2.54cc SR STRAIGHT |
| | | | | 0' ±2' | linear | scale 1:1 | dwg no 68000 |
| | | | | dr | T.BREWBAKER | 01/05/95 | sheet 5 of 8 size A3 |
| | | | | engr | T.HANNA | 01/05/95 | type Product Customer Drawing |
| | | | | chr | J.MURPHY | 01/05/95 | |
| | | | | appd | T.HANNA | 01/05/95 | |
| sheet index | revision sheet | | | | | | |

| PRODUCT NUMBER | TOTAL PIN LGTH | | TAIL LENGTH | | MATING LENGTH | | PACKAGING | NOTES | BERGSTRIPTM AVAILABLE | LF OPTION |
|----------------|----------------|---------------|-------------|--------|---------------|--------|-----------------|---------|-----------------------|-----------|
| | DIM F | DIM F | DIM G | DIM G | DIM H | DIM H | | | | |
| | ENGLISH | METRIC | ENGLISH | METRIC | ENGLISH | METRIC | | | | |
| 68795-XYY | 0.500 | 12.70 | 0.062 | 1.57 | 0.338 | 8.59 | POLY BAGS | - | NO | NOTE 1,12 |
| 68796-XYY | 0.633 | 16.08 | 0.423 | 10.74 | 0.110 | 2.79 | POLY BAGS | - | NO | |
| 68797-XYY | 0.413 | 10.49 | 0.213 | 5.41 | 0.100 | 2.54 | POLY BAGS | - | NO | |
| 69148-XYY | 0.442 | 11.43 | 0.000 | 0.00 | 0.350 | 8.89 | POLY BAGS | - | NO | |
| 69152-XYY | 0.720 | 18.29 | 0.120 | 3.05 | 0.500 | 12.70 | POLY BAGS/TUBES | - | NO | |
| 69173-XYY | 0.530 | 13.46 | 0.135 | 3.43 | 0.295 | 7.49 | POLY BAGS | - | NO | |
| 69188-XYY | 0.751 | 19.08 | 0.333 | 8.46 | 0.318 | 8.08 | POLY BAGS | - | NO | |
| 69751-XYY | 0.440 | 11.18 | 0.170 | 4.32 | 0.170 | 4.32 | POLY BAGS | NOTE 10 | NO | |
| 71417-XYY | 0.664 | 16.87 | 0.115 | 2.92 | 0.449 | 11.40 | POLY BAGS | NOTE 10 | NO | |
| 72260-XYYH | 0.930 | 23.62 | 0.090 | 2.29 | 0.740 | 18.80 | POLY BAGS | - | NO | |
| 72323-XYYH | 1.200 | 30.48 | 0.100 | 2.54 | 1.000 | 25.40 | POLY BAGS | - | NO | |
| 72457-XYYH | 1.100 | 27.94 | 0.090 | 2.29 | 0.910 | 23.11 | POLY BAGS | - | NO | |
| 73698-XYYH | 1.100 | 27.94 | 0.120 | 3.05 | 0.880 | 22.35 | POLY BAGS | - | NO | |
| 74464-XYYH | 1.028 | 26.11 | 0.610 | 15.49 | 0.318 | 8.08 | POLY BAGS | - | NO | |
| 78240-XYY | 0.663 | 16.84 | 0.333 | 8.46 | 0.230 | 5.84 | POLY BAGS | - | NO | |
| 78287-XYY | 0.678 | 17.22 | 0.120 | 3.05 | 0.458 | 11.63 | POLY BAGS | - | NO | |
| 78290-XYY | 1.250 | 31.75 | 0.500 | 12.70 | 0.650 | 16.51 | POLY BAGS | - | NO | |
| 78511-XYY | 0.538 | 13.67 | 0.120 | 3.05 | 0.318 | 8.08 | POLY BAGS/TUBES | - | YES | |
| 78595-XYY | | NOT AVAILABLE | | | | | | - | - | |
| 78931-XYY | | NOT AVAILABLE | | | | | | - | - | |
| 78958-XYY | | NOT AVAILABLE | | | | | | - | - | |
| 78959-XYY | | NOT AVAILABLE | | | | | | - | - | |
| 78977-XYY | | NOT AVAILABLE | | | | | | - | - | |
| 78998-XYY | 0.430 | 10.92 | 0.155 | 3.94 | 0.175 | 4.45 | POLY BAGS | - | NO | |
| 78999-XYY | | NOT AVAILABLE | | | | | | - | - | |
| 79428-XYY | 0.695 | 17.65 | 0.120 | 3.05 | 0.475 | 12.07 | POLY BAGS | - | NO | |
| 79849-XYY | 0.620 | 15.75 | 0.120 | 3.05 | 0.400 | 10.16 | POLY BAGS | - | NO | |

NOTE 1,12

NOTE 1,12



Copyright FCJ

| | | | | | |
|--------------------------------|----------------|---------------------|-----------------------|------------|-----------------------------------|
| mat'l. code SEE NOTES 2 & 3 | | surface ISO 1302 | tolerance ISO 1101 | projection | product family BERGSTIK |
| ltr | ecn no | dr | date | INCH/MM | title BERGSTIK® II HEADER |
| CT | | | | linear | .100/2.54cc SR STRAIGHT |
| | | | | 0'±2' | scale 1:1 |
| | | | | | dwg no 68000 sheet 6 of 8 size A3 |
| | | | | | type Product Customer Drawing |
| dr | T.BREWBAKER | 01/05/95 | | | |
| engr | T.HANNA | 01/05/95 | | | |
| chr | J.MURPHY | 01/05/95 | | | |
| appd | T.HANNA | 01/05/95 | | | |
| sheet index | revision sheet | | | | |

| PRODUCT NUMBER | TOTAL PIN LGTH | | TAIL LENGTH | | MATING LENGTH | | PACKAGING | NOTES | BERGSTRIPTM AVAILABLE |
|----------------|----------------|---------------|-------------|--------|---------------|--------|-----------|---------|--------------------------|
| | DIM F | DIM F | DIM G | DIM G | DIM H | DIM H | | | |
| | ENGLISH | METRIC | ENGLISH | METRIC | ENGLISH | METRIC | | | |
| 84918-XYH | 0.340 | 8.64 | 0.120 | 3.05 | 0.120 | 3.05 | POLY BAGS | -- | YES |
| 84921-XYH | 0.370 | 9.40 | 0.150 | 3.81 | 0.120 | 3.05 | POLY BAGS | -- | YES |
| 86506-XYH | 0.440 | 11.18 | 0.120 | 3.05 | 0.220 | 5.59 | POLY BAGS | -- | YES |
| 86579-XYH | 0.450 | 11.43 | 0.120 | 3.05 | 0.230 | 5.84 | POLY BAGS | NOTE 9 | NO |
| 86634-XYH | | NOT AVAILABLE | | | | | | -- | -- |
| 86635-XYH | | NOT AVAILABLE | | | | | | -- | -- |
| 86636-XYH | | NOT AVAILABLE | | | | | | -- | -- |
| 86637-XYH | | NOT AVAILABLE | | | | | | -- | -- |
| 86638-XYH | | NOT AVAILABLE | | | | | | -- | -- |
| 86793-XYH | 0.900 | 22.86 | 0.100 | 2.54 | 0.700 | 17.78 | POLY BAGS | NOTE 10 | NO |
| 86899-XYH | 1.020 | 25.91 | 0.120 | 3.05 | 0.800 | 20.32 | POLY BAGS | -- | NO |
| 87185-XYH | 1.238 | 31.45 | 0.095 | 2.41 | 1.043 | 26.49 | POLY BAGS | NOTE 10 | NO |
| 87204-XYH | 0.895 | 22.73 | 0.120 | 3.05 | 0.675 | 17.15 | POLY BAGS | -- | NO |
| 87241-XYH | 1.000 | 25.40 | 0.120 | 3.05 | 0.780 | 19.81 | POLY BAGS | -- | NO |
| 87502-XYH | 1.130 | 28.70 | 0.110 | 2.79 | 0.920 | 23.37 | POLY BAGS | -- | NO |
| 87827-XYH | 0.380 | 9.65 | 0.120 | 3.05 | 0.160 | 4.06 | POLY BAGS | -- | NO |
| 87916-XYH | 1.058 | 26.87 | 0.128 | 3.25 | 0.830 | 21.08 | POLY BAGS | -- | NO |
| 88005-XYH | 0.536 | 13.61 | 0.095 | 2.41 | 0.341 | 8.66 | POLY BAGS | NOTE 10 | NO |
| 88706-XYH | 0.900 | 22.86 | 0.100 | 2.54 | 0.700 | 17.78 | POLY BAGS | -- | NO |
| 89232-XYH | 0.325 | 8.26 | 0.000 | 0.00 | 0.230 | 5.84 | POLY BAGS | NOTE 7 | NO |

LF
OPTION

NOTE 1,12

NOTE 1,12



FCconnect.com

Copyright FCJ

| | | | | | |
|--------------------------------|----------------|---------------------|----------------------------------|---|----------------------------------|
| mat'l. code SEE NOTES 2 & 3 | | surface ISO 1302 | tolerance ISO 406 ISO 1301 | projection | product family BERGSTIK |
| ltr | ecn no | dr | date | tolerances unless otherwise specified | title BERGSTIK® II HEADER |
| CT | | | | linear XX±.01/XX±0.3 XXX±.006/XXX±0.13 XXXX±.0020/XXXX±0.051 | .100/2.54cc SR STRAIGHT |
| | | | | INCH/MM scale 1:1 | dwg no 68000 |
| | | dr | T.BREWBAKER | 01/05/95 | sheet 7 of 8 size A3 |
| | | engr | T.HANNA | 01/05/95 | type Product Customer Drawing |
| | | chr | J.MURPHY | 01/05/95 | |
| | | appd | T.HANNA | 01/05/95 | |
| sheet index | revision sheet | | | | |

Form: A3

| PRODUCT NUMBER | TOTAL PIN LGTH | | TAIL LENGTH | | MATING LENGTH | | PACKAGING | NOTES | BERGSTRIPTM AVAILABLE | LF OPTION |
|----------------|----------------|--------|-------------|--------|---------------|--------|-----------|---------|--------------------------|--------------|
| | DIM F | DIM F | DIM G | DIM G | DIM H | DIM H | | | | |
| | ENGLISH | METRIC | ENGLISH | METRIC | ENGLISH | METRIC | | | | |
| 90522-XYX | 0.668 | 16.97 | 0.135 | 3.43 | 0.433 | 11.00 | POLY BAGS | NOTE 10 | NO | NOTE 1,12 |
| 90547-XYX | 0.508 | 12.90 | 0.095 | 2.41 | 0.313 | 7.95 | POLY BAGS | NOTE 10 | NO | |
| 90719-XYX | 0.384 | 9.75 | 0.106 | 2.69 | 0.178 | 4.52 | POLY BAGS | - | NO | |
| 90726-XYX | 0.440 | 11.18 | 0.110 | 2.79 | 0.230 | 5.84 | POLY BAGS | - | YES | |
| 91276-XYX | 1.225 | 31.12 | 0.225 | 5.72 | 0.900 | 22.86 | POLY BAGS | - | NO | |
| 92020-XYX | 0.372 | 9.45 | 0.094 | 2.39 | 0.178 | 4.52 | POLY BAGS | - | NO | |
| 92418-XYX | 0.572 | 14.53 | 0.118 | 3.00 | 0.354 | 8.99 | POLY BAGS | - | NO | |
| 93167-XYX | 0.394 | 10.01 | 0.059 | 1.50 | 0.235 | 5.97 | POLY BAGS | - | NO | |
| 93287-XYXH | 0.585 | 14.86 | 0.085 | 2.16 | 0.400 | 10.16 | POLY BAGS | - | NO | |
| 93944-XYX | 0.941 | 23.90 | 0.130 | 3.30 | 0.711 | 18.06 | POLY BAGS | - | NO | |
| 93992-XYXH | 0.415 | 10.54 | 0.085 | 2.16 | 0.230 | 5.84 | POLY BAGS | - | NO | |
| 94063-XYX | 0.376 | 9.55 | 0.138 | 3.51 | 0.138 | 3.51 | POLY BAGS | NOTE 10 | NO | |
| 94094-XYX | 0.592 | 15.04 | 0.314 | 7.98 | 0.178 | 4.52 | POLY BAGS | - | NO | |
| 94544-XYX | 0.550 | 13.97 | 0.130 | 3.30 | 0.330 | 8.38 | POLY BAGS | NOTE 10 | NO | |
| 94611-XYXH | 0.320 | 8.13 | 0.095 | 2.41 | 0.125 | 3.18 | POLY BAGS | - | NO | |
| 95017-XYXH | 0.560 | 14.22 | 0.060 | 1.52 | 0.400 | 10.16 | POLY BAGS | - | NO | |
| 95103-XYX | 1.064 | 27.03 | 0.433 | 11.00 | 0.531 | 13.49 | POLY BAGS | NOTE 10 | NO | |
| 95104-XYX | 0.370 | 9.40 | 0.126 | 3.20 | 0.144 | 3.66 | POLY BAGS | NOTE 10 | NO | |
| 95648-XYXH | 0.655 | 16.64 | 0.155 | 3.94 | 0.400 | 10.16 | POLY BAGS | - | NO | |
| 95655-XYX | 1.164 | 29.57 | 0.095 | 2.41 | 0.969 | 24.61 | POLY BAGS | NOTE 10 | NO | |
| 98001-XYXH | 0.610 | 15.49 | 0.420 | 10.67 | 0.090 | 2.29 | POLY BAGS | - | NO | |
| 98136-XYXH | 0.475 | 12.07 | 0.095 | 2.41 | 0.280 | 7.11 | POLY BAGS | - | NO | |
| 10004394-XYXH | 0.290 | 7.37 | 0.095 | 2.41 | 0.095 | 2.41 | POLY BAGS | - | NO | |
| 10076764-XYXH | 0.479 | 12.19 | 0.114 | 2.9 | 0.265 | 6.75 | POLY BAGS | - | YES | |



FCconnect.com

Copyright FCJ

| | | | | | | | |
|--------------------------------|----------------|------|-------------|---------------------------------------|---|----------------|---|
| mat'l. code SEE NOTES 2 & 3 | | | | surface ISO 1302 | tolerance ISO 406 ISO 1101 | projection | product family BERGSTIK |
| ltr | ecn no | dr | date | tolerances unless otherwise specified | | INCH/MM | title BERGSTIK® II HEADER .100/2.54cc SR STRAIGHT |
| CT | | | | angles | linear | | |
| | | | | 0° ±2' | XXX±.01/XX±0.3 XXX±.006/XX±0.13 XXX±.0020/XXX±0.051 | scale 1:1 | dwg no 68000 |
| | | dr | T.BREWBAKER | 01/05/95 | | | sheet 8 of 8 size A3 |
| | | engr | T.HANNA | 01/05/95 | | | type Product Customer Drawing |
| | | chr | J.MURPHY | 01/05/95 | | | |
| | | appd | T.HANNA | 01/05/95 | | | |
| sheet index | revision sheet | | | | | | |